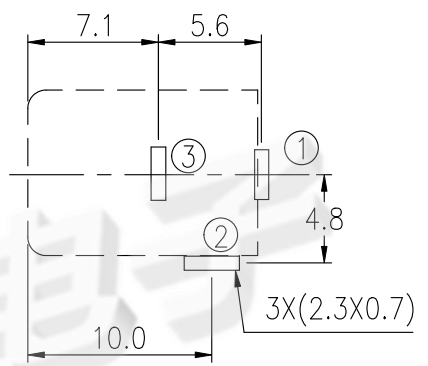
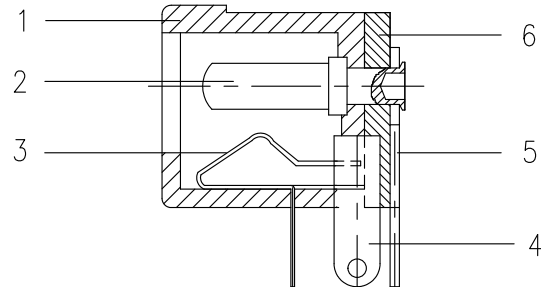
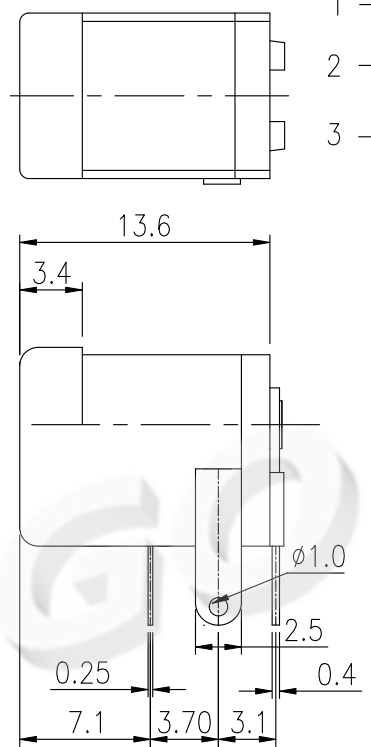
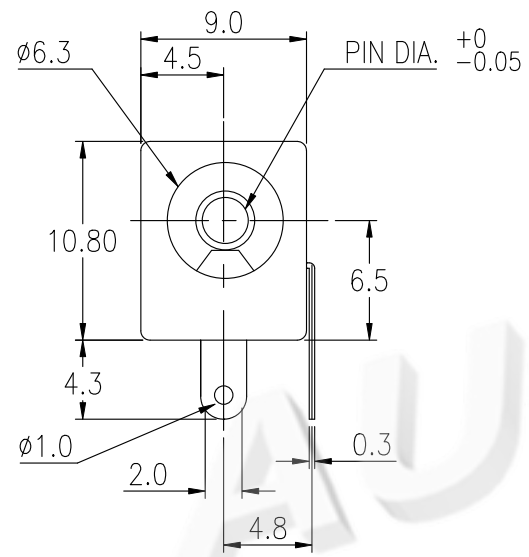


PIN DIA=2.5mm

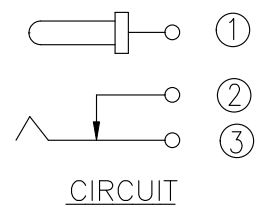
RoHS  
Compliant

SYMBOL	REVISION	APPROVAL	DATE

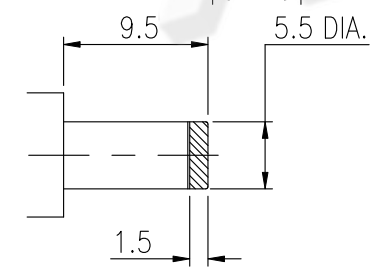
PART NO.	PIN DIA.
DS-043-25	2.5mm
DS-043-21	2.1mm
DS-043-13	1.3mm



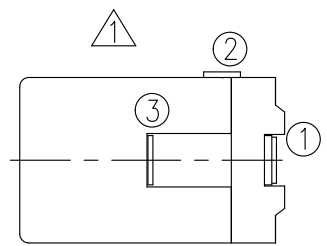
P.C.B LAYOUT  
TOP VIEW



CIRCUIT



MATE PLUG



6	COVER	PBT	1	BLACK
5	PIN TERMINAL	BRASS STRIP	1	Ag PLATED
4	BREAK TERMINAL	BRASS STRIP	1	Ag PLATED
3	TIP TERMINAL	STAINLESS STEEL	1	Ag PLATED
2	PIN	BRASS BAR	1	Ni PLATED
1	HOUSING	PBT	1	BLACK
NO.	PARTS	MATERIAL	QTY.	FINISHING

DONGGUAN AUGO ELECTRONICS CO.,LTD.

COPYRIGHT RESERVED,PLEASE DO NOT COPY.

PART NAME		DC POWER JACK		DRAWING	Y.C.Zhang	DWG.No.	Robin
PART NO.		DS-043A		CHECK	G.C.Chen	REV.	A
UNIT : mm	TOLERANCE	UP TO 5	±0.2	APPROVAL	SCALE	DATE	2018-12-10
	OTHERWISE	ABOVE 5 20	±0.3			ANGLE	0°±3'