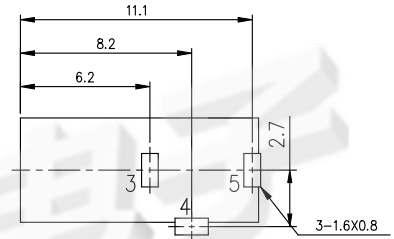
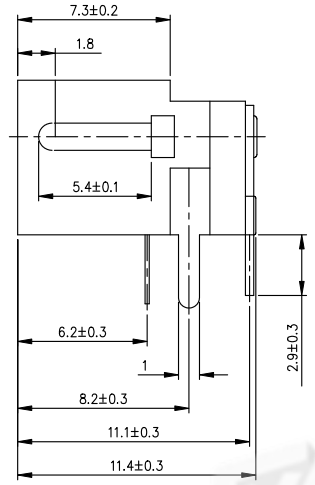
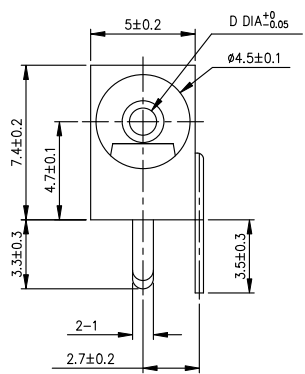
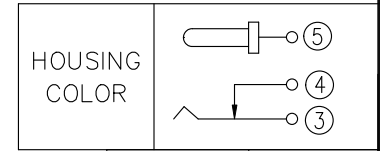
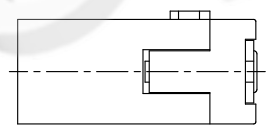
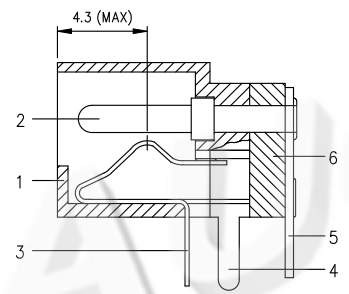


RoHS
Compliant

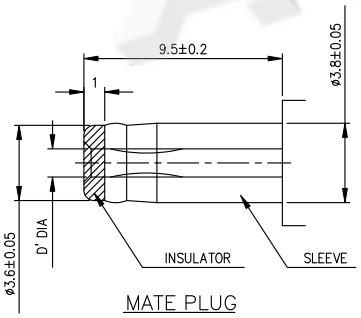
SYMBOL	REVISION	APPROVAL	DATE



P.C.B LAYOUT



PART NO.	PIN DIA.
DS-313-10	1.0mm
DS-313-13	1.3mm



NO.	PARTS	MATERIAL	QTY.	FINISHING
6	COVER	NYLON+G	1	BLACK
5	PIN TERMINAL	BRASS	1	Ag PLATED
4	BREAK TERMINAL	BRASS	1	Ag PLATED
3	SLEEVE TERMINAL	ALLOY SPRING	1	Ag PLATED
2	PIN	BRASS BAR	1	Ni PLATED
1	HOUSING	PBT	1	BLACK

DONGGUAN AUGO ELECTRONICS CO.,LTD.

COPYRIGHT RESERVED,PLEASE DO NOT COPY.

PART NAME		DC POWER JACK		DRAWING	G.C.Chen	DWG.No.	
PART NO.		DS-313-13		CHECK	G.C.Chen	REV.	A
UNIT :	TOLERANCE	UP TO 5	±0.2	ANGLE	APPROVAL	DATE	PAGE
		mm	OTHERWISE				