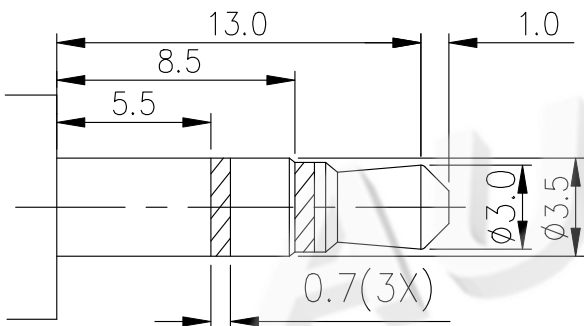
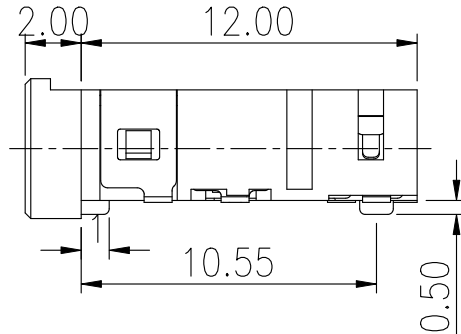
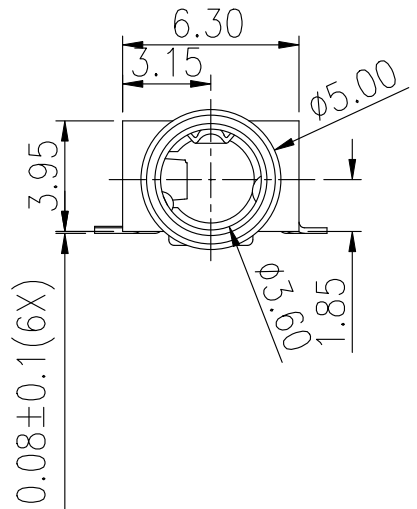
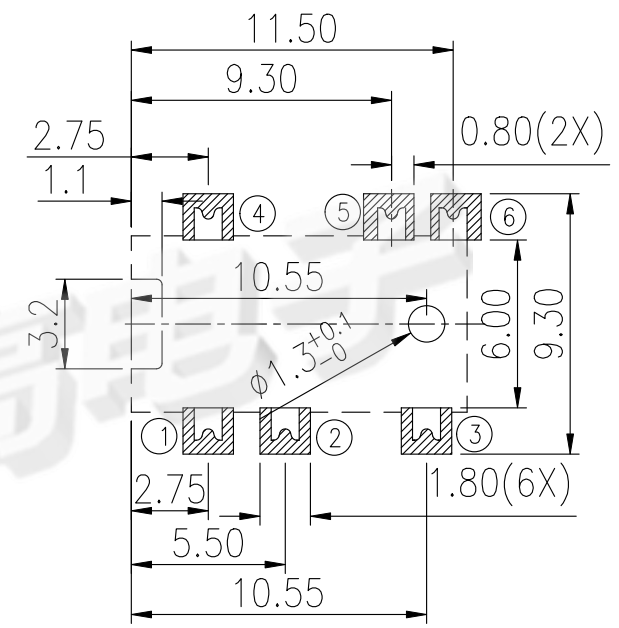
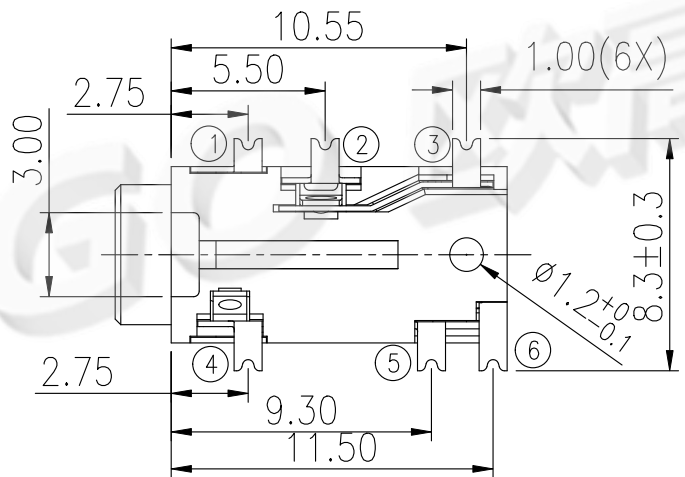


RoHS
Compliant

SYMBOL	REVISION	APPROVAL	DATE



MATE PLUG



P.C.B LAYOUT
BOTTOM VIEW

MODEL NO.	PJ-3548S	PJ-3548-5S	PJ-3548-5S-L	PJ-3548-5S-R	PJ-3548-4S
SCHEMATIC					

NO.	PARTS	MATERIAL	QTY.	FINISHING
④	TERMINAL 2	BeCu	1	Au PLATED
③	TERMINAL 1,4,5	C5210	3	Au PLATED
②	TERMINAL 3,6	C2680	2	Au PLATED
①	HOUSING	LCP	1	BLACK

DONGGUAN AUGO ELECTRONICS CO.,LTD.

COPYRIGHT RESERVED,PLEASE DO NOT COPY.

PART NAME		PHONE JACK (SMD)		DRAWING		Y.C.Zhang		DWG.No.	
PART NO.		PJ-3548S-Au		CHECK		G.C.Chen		REV. A1	
UNIT : mm	TOLERANCE	UP TO 5	±0.2	ANGLE	APPROVAL	DATE		PAGE	
	OTHERWISE	ABOVE 5 30	±0.3			SCALE	4:1	1 OF 1	