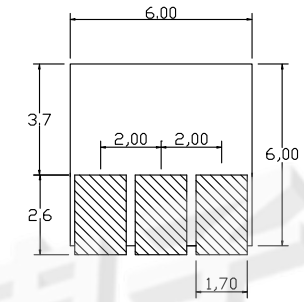
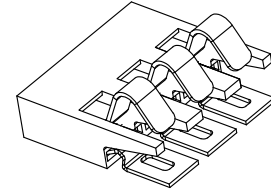
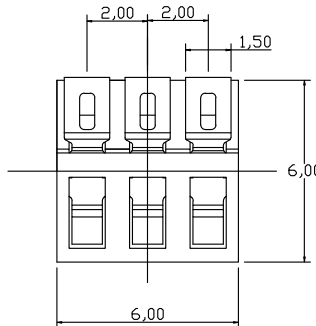
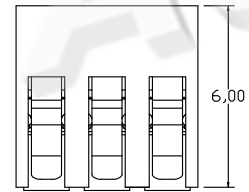
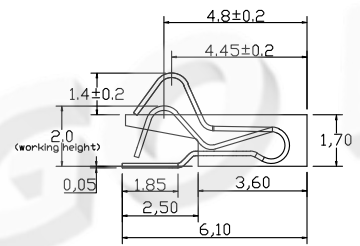
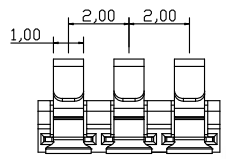


Rohs

REV.	DESCRIPTION	DRAW.	DATE.



RECOMMENDED PCB LAYOUT
TOP VIEW (.XX±0.05)



Material:
 Insulator : LCP(UL94V-0)
 Contact : Phosphor Bronze
 Contact Plated : 3u* Gold over Nickel or Tin
 Specification:
 Current Rating : 2A
 Voltage Rating : 12V
 Contact Resistance : 50m Ω
 Insulation Resistance : 500M Ω
 Dielectric Voltage : 500V
 Operating Temperature : -40°~85°
 Electrical Life : 5000cycles

AUGO

AUGO ELECTRONICS CO.,LTD.

COPYRIGHT RESERVED,PLEASE DO NOT COPY.	REV:	01	UNLESS OTHERWISE SPECIFIED,TOLERANCE:		TITLE: 2.0 PITCH BATTERY CONNECTOR	DESIGN	G.C.CHEN	DATE	
	SIZE:	A4	X.	±0.20		DRAWING	Y.C.ZHANG	DATE	
	SCALE: 1:1	UNIT: mm	X.x	±0.15		CHECK	D.J.WANG	DATE	
	SHEET: 1/1		X.xx	±0.10		SCALE	1:1	PAGE	1 OF 1
			ANGULAR	±2°	PART NO:	AUGO-BC-20-3PD310			