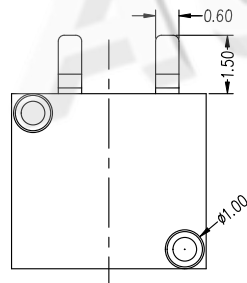
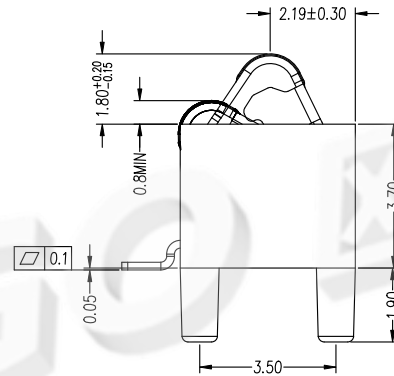
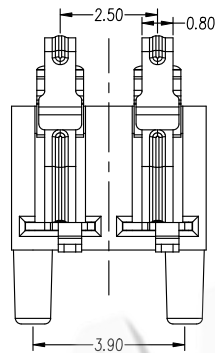
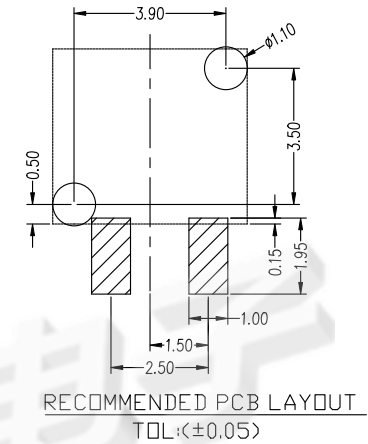
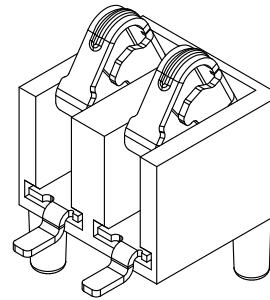
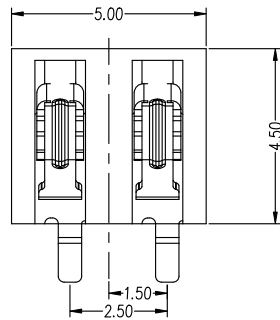


Rohs

REV.	DESCRIPTION	DRAW.	DATE.



Material:
 Insulator : LCP(UL94V-0)
 Contact : Phosphor Bronze
 Contact Plated : Gold over Nickel or Tin
 Specification:
 Current Rating : 2A
 Voltage Rating : 12V
 Contact Resistance : 50m Ω
 Insulation Resistance : 500M Ω
 Dielectric Voltage : 500V
 Operating Temperature : $-40^{\circ} \sim 85^{\circ}$
 Electrical Life : 5000cycles

AUGO AUGO ELECTRONICS CO.,LTD.

COPYRIGHT RESERVED, PLEASE DO NOT COPY.

REV:	01	UNLESS OTHERWISE SPECIFIED, TOLERANCE:		TITLE:	2.5 PITCH BATTERY CONNECTOR	DESIGN	G.C.CHEN	DATE	
SIZE:	A4	X.	± 0.20	PART NO.:	AUGO-BC-25-2PD550	DRAWING	Y.C.ZHANG	DATE	
SCALE: 1:1	UNIT: mm	X.x	± 0.15			CHECK	D.J.WANG	DATE	
SHEET: 1/1		X.xx	± 0.10			SCALE	1:1	PAGE	1 OF 1
		ANGULAR	$\pm 2^{\circ}$						