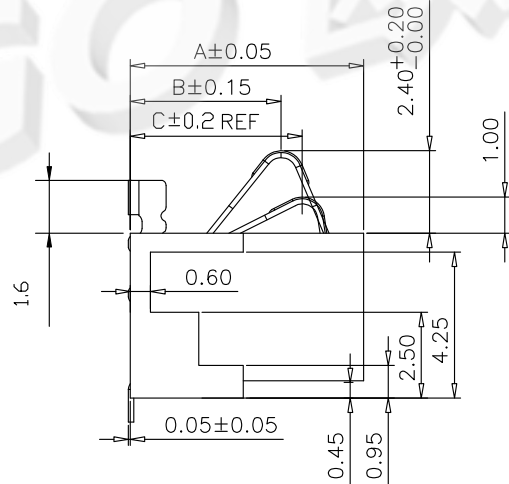
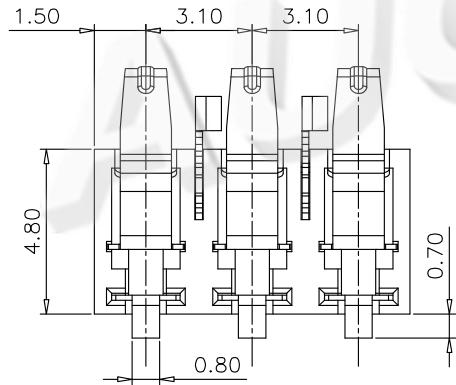
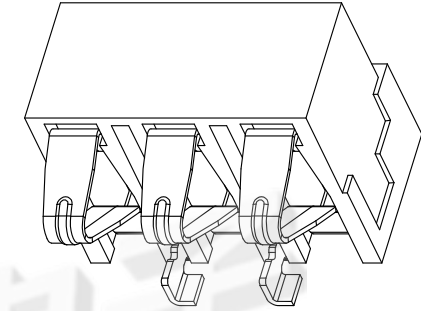
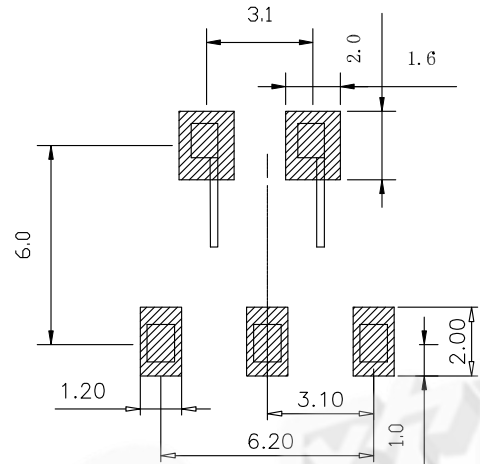
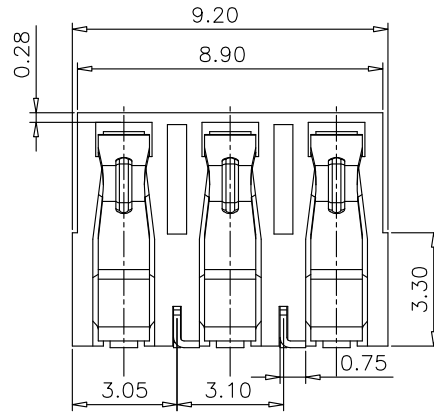


Rohs

REV.	DESCRIPTION	DRAW.	DATE.



Material:
 Insulator : LCP(UL94V-0)
 Contact : Phosphor Bronze
 Contact Plated : Gold over Nickel or Tin
 Specification:
 Current Rating : 2A
 Voltage Rating : 12V
 Contact Resistance : 50m Ω
 Insulation Resistance : 500M Ω
 Dielectric Voltage : 500V
 Operating Temperature : -40°~85°
 Electrical Life : 5000cycles

PART NO.	A	B	C
AUGO-BC-31-3PD770	7.70	5.90	6.70
AUGO-BC-31-3PD680	6.80	5.00	5.80

AUGO AUGO ELECTRONICS CO.,LTD.

COPYRIGHT RESERVED,PLEASE DO NOT COPY.

REV:	01	UNLESS OTHERWISE SPECIFIED,TOLERANCE:	TITLE:	3.1 PITCH BATTERY CONNECTOR	DESIGN	G.C.CHEN	DATE	
SIZE:	A4				DRAWING	Y.C.ZHANG	DATE	
SCALE: 1:1	UNIT: mm	X.	±0.20	PART NO:	CHECK	D.J.WANG	DATE	
SHEET: 1/1	⊕	X.x	±0.15		SCALE	1:1	PAGE	1 OF 1
	∠	X.xx	±0.10					
		ANGULAR	±2°					