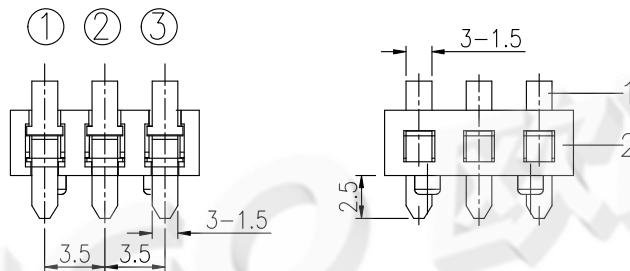
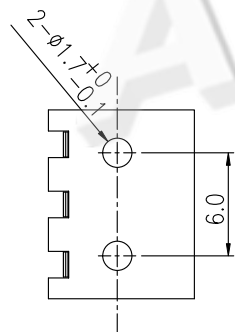
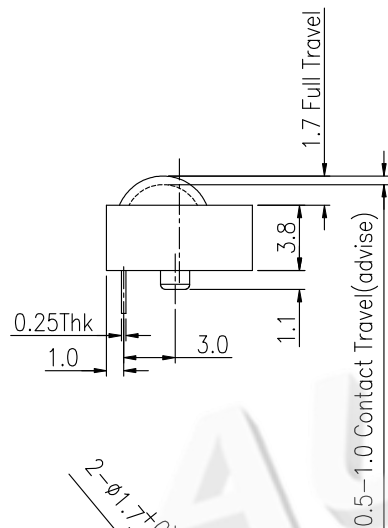
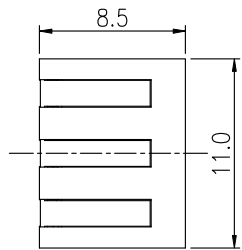


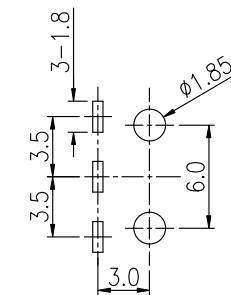
Rohs

REV.	DESCRIPTION	DRAW.	DATE.

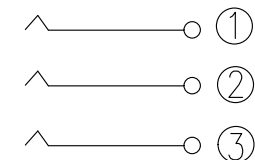


SPECIFICATIONS

- ELECTRICAL CHARACTERISTICS:
 - 1-1.RATING: DC 12V 3A
 - 1-2.CONTACT RESISTANCE: 20m MAX(INITAL)
 - 1-3.DIELECTRIC WITHSTANDING VOLTAGE: 500V AC FOR ONE MINUTE
 - 1-4.INSULATION RESISTANCE: 100M MIN, MEASURED BY 500V DC
- FORCE:0.6mm CONTACT TRAVEL:600gf Max.
- LIFE TEST:MECHANICAL LIFE TEST 20,000 CYCLES.
- TEMPERATURE RISE : 30°C MAX



P.C.B LAYOUT



CIRCUIT

2	HOUSING	PPA	1	BLACK
1	CONTACT TERMINAL	C70350	3	Au PLATED
NO.	PARTS	MATERIAL	QTY.	FINISHING

AUGO

AUGO ELECTRONICS CO.,LTD.

COPYRIGHT RESERVED,PLEASE DO NOT COPY.

REV:	01	UNLESS OTHERWISE SPECIFIED,TOLERANCE:	TITLE:	3.5 PITCH BATTERY CONNECTOR	DESIGN	G.C.CHEN	DATE		
SIZE:	A4				X.	±0.20	DRAWING	Y.C.ZHANG	DATE
SCALE: 1:1	UNIT: mm	X.x	±0.15	PART NO:	AUGO-BC-35-3PD550C	CHECK	D.J.WANG	DATE	
SHEET: 1/1		X.xx	±0.10			SCALE	1:1	PAGE	1 OF 1
		ANGULAR	±2'						