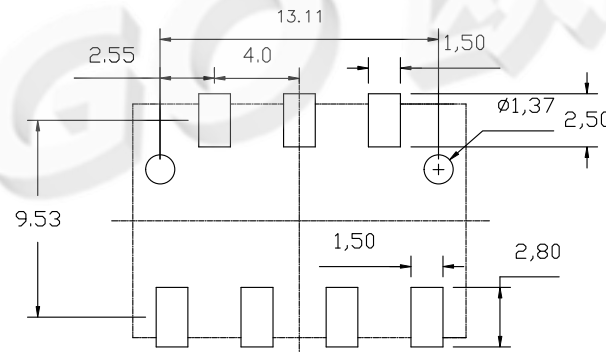
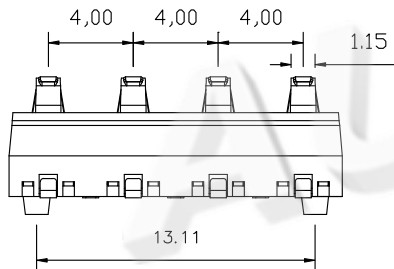
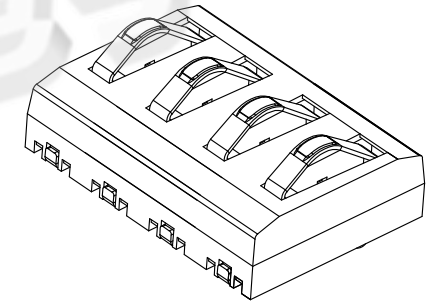
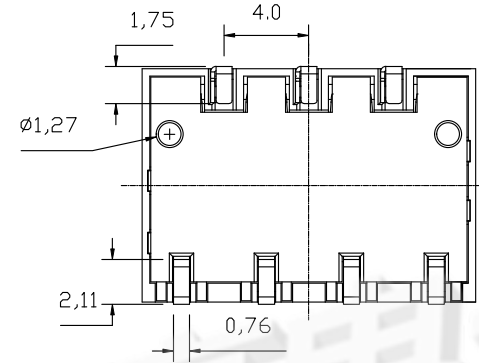
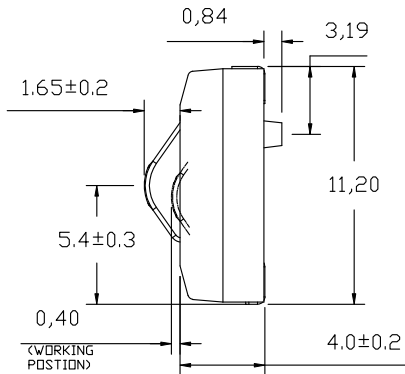
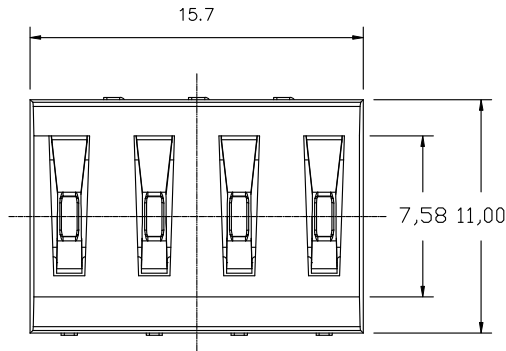


Rohs

REV.	DESCRIPTION	DRAW.	DATE.



RECOMMENDED PCB LAYOUT  
TOL:(±0.05)

Material:  
 Insulator : PA9T (UL94V-0)  
 Contact : Phosphor Bronze  
 Contact Plated : Gold over Nickel or Tin  
 Specification:  
 Current Rating : 3A  
 Voltage Rating : 30V  
 Contact Resistance : 50m Ω  
 Insulation Resistance : 500M Ω  
 Dielectric Voltage : 500V  
 Operating Temperature : -55~125°  
 Electrical Life : 5000cycles

**AUGO**

AUGO ELECTRONICS CO.,LTD.

COPYRIGHT RESERVED,PLEASE DO NOT COPY.

REV:	01	UNLESS OTHERWISE SPECIFIED,TOLERANCE:	TITLE:	4.0 PITCH BATTERY CONNECTOR	DESIGN	G.C.CHEN	DATE	
SIZE:	A4		X.	±0.20	DRAWING	Y.C.ZHANG	DATE	
SCALE: 1:1	UNIT: mm	X.x	±0.15	PART NO:	AUGO-BC-40-4PD565	CHECK	D.J.WANG	DATE
SHEET: 1/1		X.xx	±0.10			SCALE	1:1	PAGE
		ANGULAR	±2°					