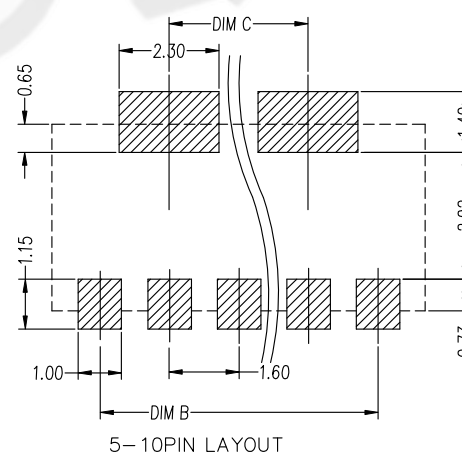
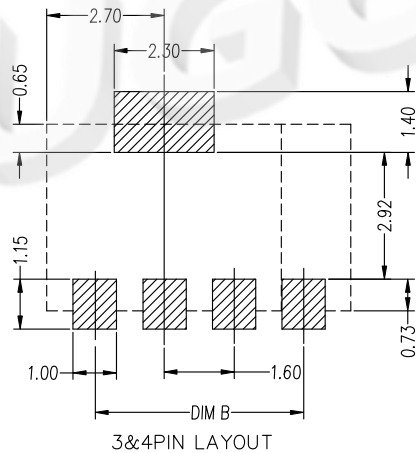
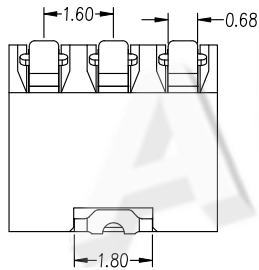
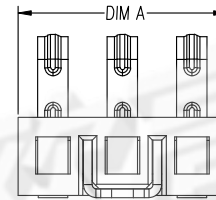
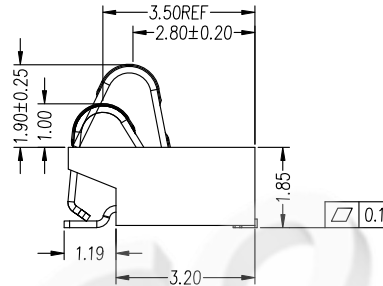
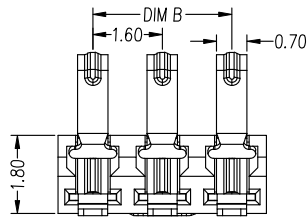
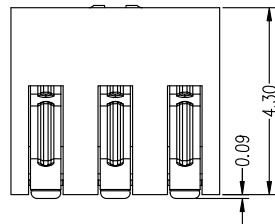
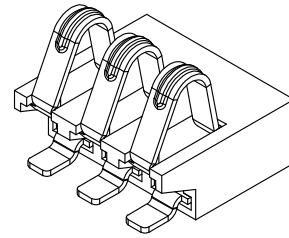


Rohs

REV.	DESCRIPTION	DRAW.	DATE.

AUGO-BC-16-10PD370	16.00	14.40	11.20
AUGO-BC-16-9PD370	14.40	12.80	9.60
AUGO-BC-16-8PD370	12.80	11.20	8.00
AUGO-BC-16-7PD370	11.20	9.60	6.40
AUGO-BC-16-6PD370	9.60	8.00	4.80
AUGO-BC-16-5PD370	8.00	6.40	3.20
AUGO-BC-16-4PD370	6.40	4.80	0
AUGO-BC-16-3PD370	4.80	3.20	0
BE FILED	DIMA	DIMB	DIMC



RECOMMENDED PCB LAYOUT  
TOL: (±0.05)

-NOTES-

- Electrical:  
Contact resistance: 50m ohms max.  
Dielectric withstanding voltage: 250V RMS.  
Insulation resistance: 1000M ohms min.
- Mechanical:  
MATE AND UNMATE FORCE:  
MATE FORCE: 2.5kg MAX  
UNMATE FORCE: 0.5kg MIN  
Durability: 3000cycles MIN.
- Environment:  
Operating Temperature: -55°to+105°.
- FINISH:  
TERMINAL: GOLD Plated ALL Over NICKEL.
- MATERIAL:  
5.1.Housing: HI-TEMP Plastic,UL94V-0,black;  
5.2.Terminal: Copsy alloy,T=0.15mm  
5.3 Stator:Brass T=0.20mm

**AUGO**

AUGO ELECTRONICS CO.,LTD.

COPYRIGHT RESERVED,PLEASE DO NOT COPY.

REV:	01	UNLESS OTHERWISE SPECIFIED,TOLERANCE:
SIZE:	A4	
SCALE: 1:1	UNIT: mm	X.            ±0.20
SHEET: 1/1		X.x          ±0.15
		X.xx        ±0.10
		ANGULAR   ±2°

TITLE:	1.6 PITCH BATTERY CONNECTOR
PART NO.:	AUGO-BC-16H370

DESIGN	G.C.CHEN	DATE	
DRAWING	Y.C.ZHANG	DATE	
CHECK	D.J.WANG	DATE	
SCALE	1:1	PAGE	1 OF 1