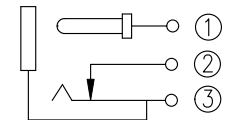
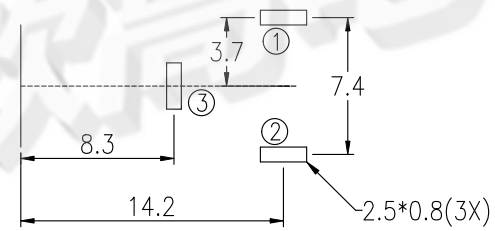
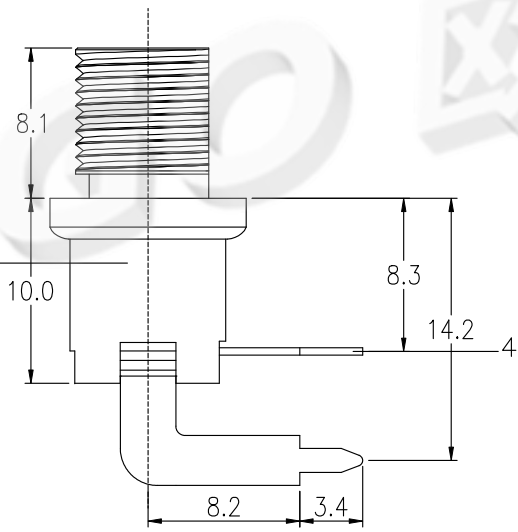
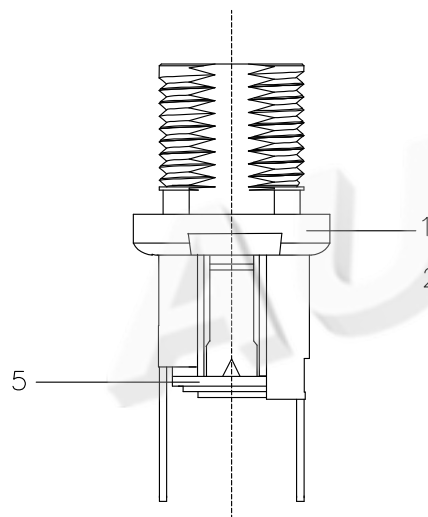
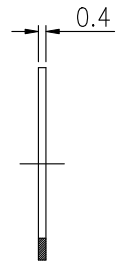
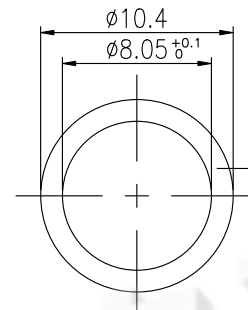
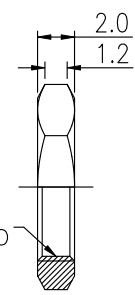
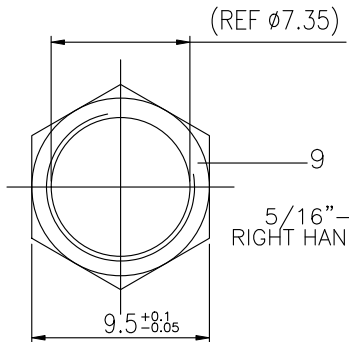
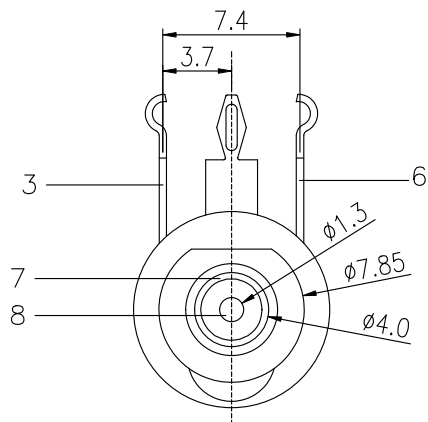


RoHS  
Compliant

SYMBOL	REVISION	APPROVAL	DATE



NO.	PARTS	MATERIAL	QTY.	FINISHING
10	PLAIN WASHER	STEEL	1	Ni PLATED
9	NUT	C2680	1	Ni PLATED
8	PIN	C3604	1	Ni PLATED
7	GASKET	PHENOLIC PLATE	3	Ag PLATED
6	PIN TERMINAL	C2680	1	BLACK
5	GASKET	PHENOLIC PLATE	1	Ni PLATED
4	SLEEVE TERMINAL	C2680	1	Ni PLATED
3	BREAK TERMINAL	C5210	3	Ag PLATED
2	HOUSING	PBT	1	BLACK
1	RING	C3604	1	Sn PLATED
NO.	PARTS	MATERIAL	QTY.	FINISHING

DONGGUAN AUGO ELECTRONICS CO.,LTD.

PART NAME				DC POWER JACK		DRAWING		G.C.Chen		DWG.No.		Robin	
PART NO.				DS-075-13		CHECK		G.C.Chen		REV.		A	
UNIT :				TOLERANCE		UP TO 5		±0.2		ANGLE		APPROVAL	
mm				OTHERWISE		ABOVE 5 TO		±0.3		DATE		2016-07-01	
						ABOVE 30		±0.5		PAGE		1 OF 1	
						ANGLE		±3'		SCALE		2:1	

COPYRIGHT RESERVED,PLEASE DO NOT COPY.