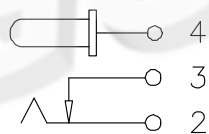
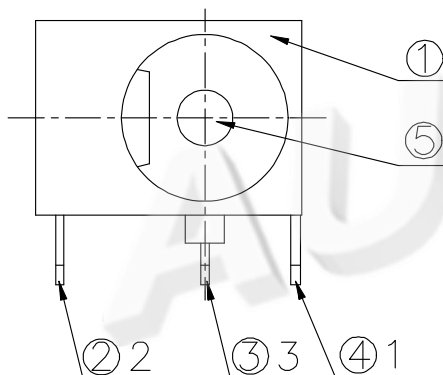
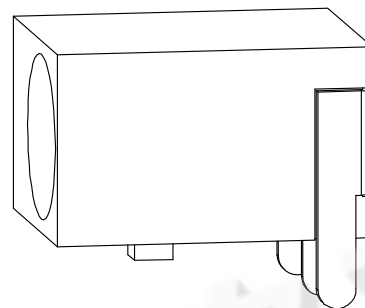
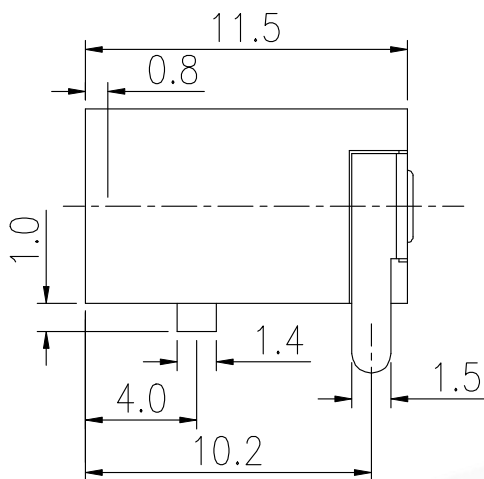
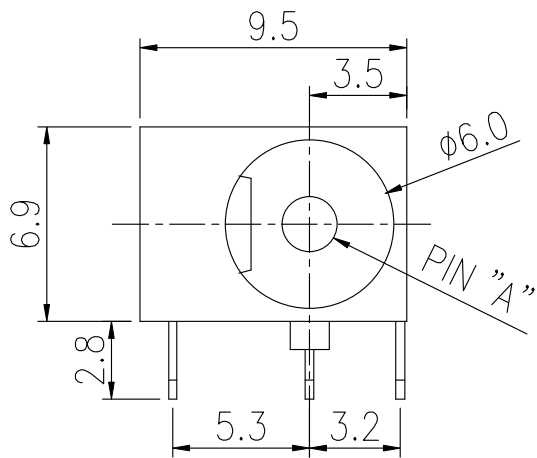
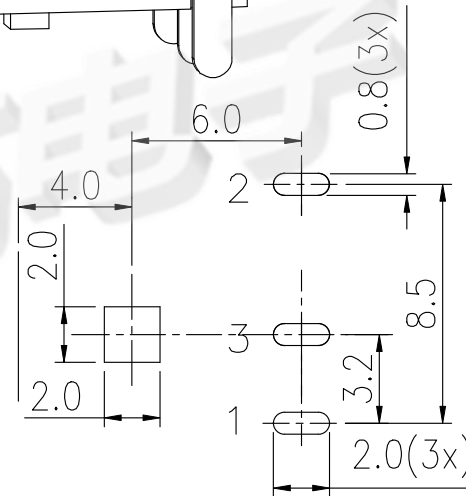


RoHS
Compliant

SYMBOL	REVISION	APPROVAL	DATE



P.C.B LAYOUT



P.C.B LAYOUT

PART NO.	PIN "A"
DS-134-17	1.65
DS-134-20	2.0
DS-134-25	2.5

5	PIN	BRASS	1	Sn PLATED
4	PIN TERMINAL #4	C2680	1	Sn PLATED
3	BREAK TERMINAL #3	C2680	1	Sn PLATED
2	SLEEVE TERMINAL #2	C5210	1	Sn PLATED
1	HOUSING	PBT	1	BLACK
NO.	PARTS	MATERIAL	QTY.	FINISHING

DONGGUAN AUGO ELECTRONICS CO.,LTD.

COPYRIGHT RESERVED,PLEASE DO NOT COPY.

PART NAME		DC POWER JACK		DRAWING		Y.C.ZHANG		DWG.No.		Robin	
PART NO.		DS-134-20		CHECK		G.C.Chen		REV.		A	
UNIT :		TOLERANCE		UP TO 5		ANGLE		APPROVAL		DATE	
mm		OTHERWISE		ABOVE 5 30		0°±3'		SCALE		PAGE	
				±0.2				1:1		1 OF 1	
				±0.3							
				±0.5							
				±3'							